

Model 100LH Specifications and Dimensions

STANDARD FEATURES:

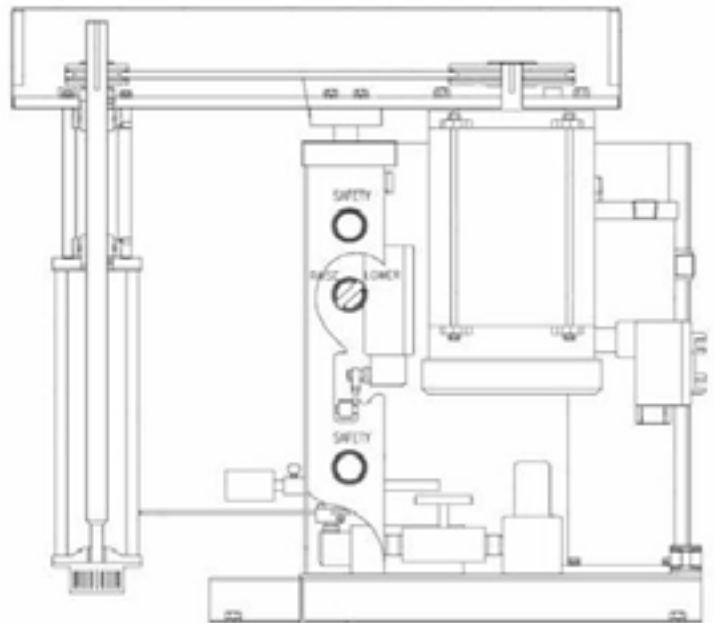
- Table or bench top mount design
- Driven by an explosion proof (Class 1, Group D), 230/460 V, 3 Ph, 60 Hz, 10:1 speed range, inverter duty motor
- Low maintenance V-belt drive system
- Stainless Steel type 316 wetted parts
- Explosion proof safety limit switches to prevent operation of mixer while in the raised position or without mix vessel in place
- Adjustable Stainless Steel can lock to secure mixing vessel
- All non-Stainless Steel external surfaces coated with a white two-part epoxy paint

AVAILABLE OPTIONS:

- Down-thrust propeller for standard rotor-stator attachment
- Bronze, glass filled Teflon or Stellite bushing for standard rotor/stator attachment
- Variable frequency drive
- Explosion proof operator station
- Painted steel or Stainless Steel bench including lower shelf and leveling mounts. Caster wheels are also available in lieu of leveling mounts
- Vacuum or atmospheric cover attached to mixer bonnet. Vacuum cover must be ordered with matching mix vessel

AVAILABLE MIXING ATTACHMENTS:

- HSM Attachment: High Shear Rotor/Stator attachment complete with disintegrating, slotted and fine screen stator heads. Attachment is equipped with a Teflon bushing
- SLIM Attachment: Super SLIM Powder/Liquid Induction System attachment, available only on the 2 HP (HSM-100LH-2) model
- Inline HSM Attachment: Inline attachment complete with disintegrating, slotted and fine screen stator heads
- HSD Attachment: High Speed Dispenser and propeller mixer attachment



Model	RPM	Overall Raised Height	Overall Lowered Height	Overall Width	Overall Length	Water Capacity	Weight
HSM-100LH-1	10,000	41 3/4"	26 3/4"	16"	29"	0.3 - 4 gal.	300 lbs
		1061 mm	680 mm	407 mm	737 mm	1.1 - 15 L	136 kg
HSM-100LH-2	6,900	41 3/4"	26 3/4"	16"	29"	1 - 5 gal.	300 lbs
		1061 mm	680 mm	407 mm	737 mm	3.8 - 19 L	136 kg



CHARLES ROSS & SON COMPANY

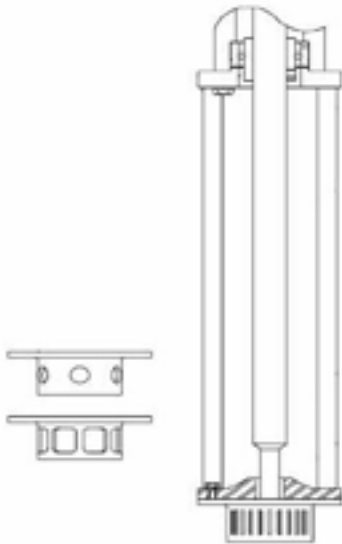
P.O. Box 12308, 710 Old Willets Path, Hauppauge, NY 11788

• Telephone: 631-234-0500 • Fax: 631-234-0691

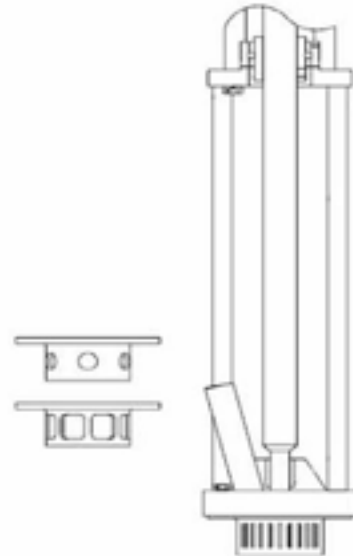
• Website: www.mixers.com • Email: sales@mixers.com

Model 100LH Attachments

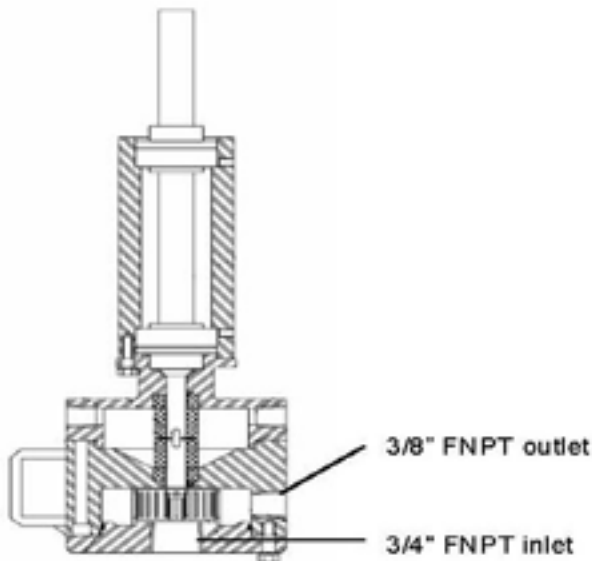
HSM Attachment



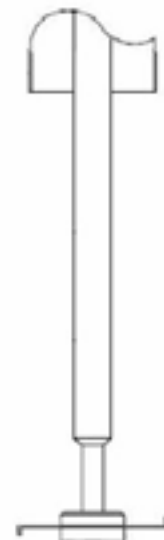
SLIM HSM Attachment



Inline HSM Attachment



HSD Attachment



Attachment	Model	Rotor Diameter		Assembly Length	
		Inches	Millimeters	Inches	Millimeters
HSM	HSM-100LH-1	1 3/8	34.9	12 1/3	313
	HSM-100LH-2	2	51	14 1/2	369
HSM with SLIM	HSM-100LH-1	N/A	N/A	N/A	N/A
	HSM-100LH-2	2	51	14 9/10	379
Inline HSM	HSM-100LH-1	1 3/8	34.9	11 7/10	298
	HSM-100LH-2	2	51	12 1/3	313
HSD	HSM-100LH-1	2	51	11 4/5	300
	HSM-100LH-2	3 1/2	89	13 4/5	351